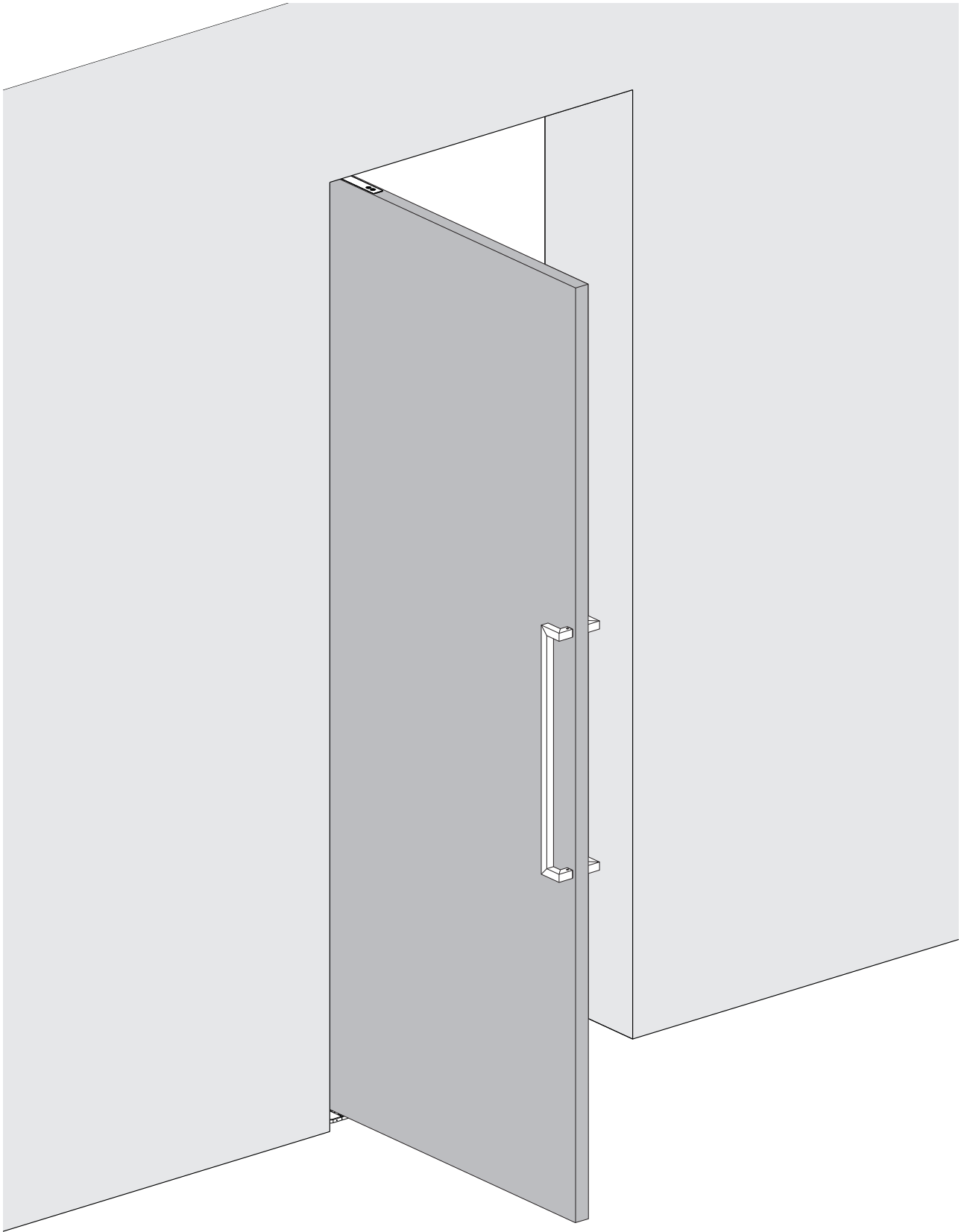
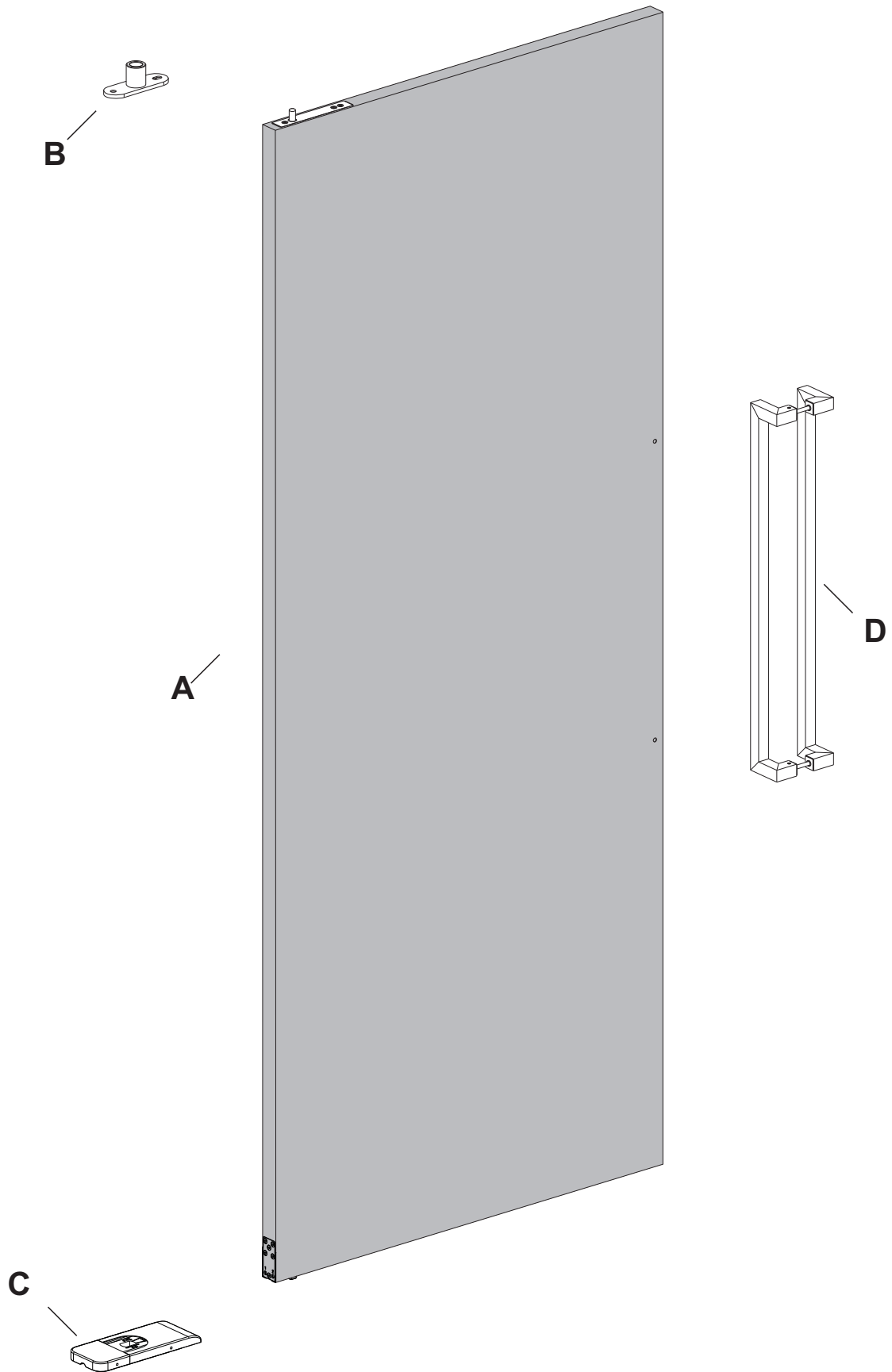


Installation Manual

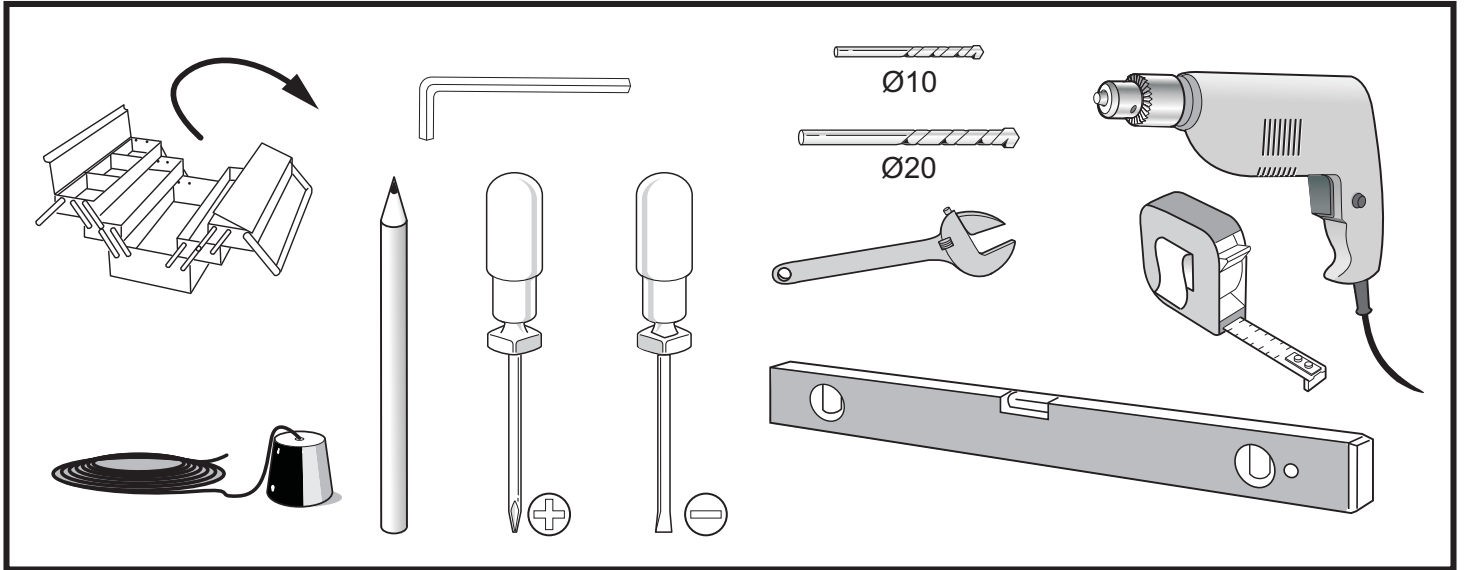


Components list



Pre-installation

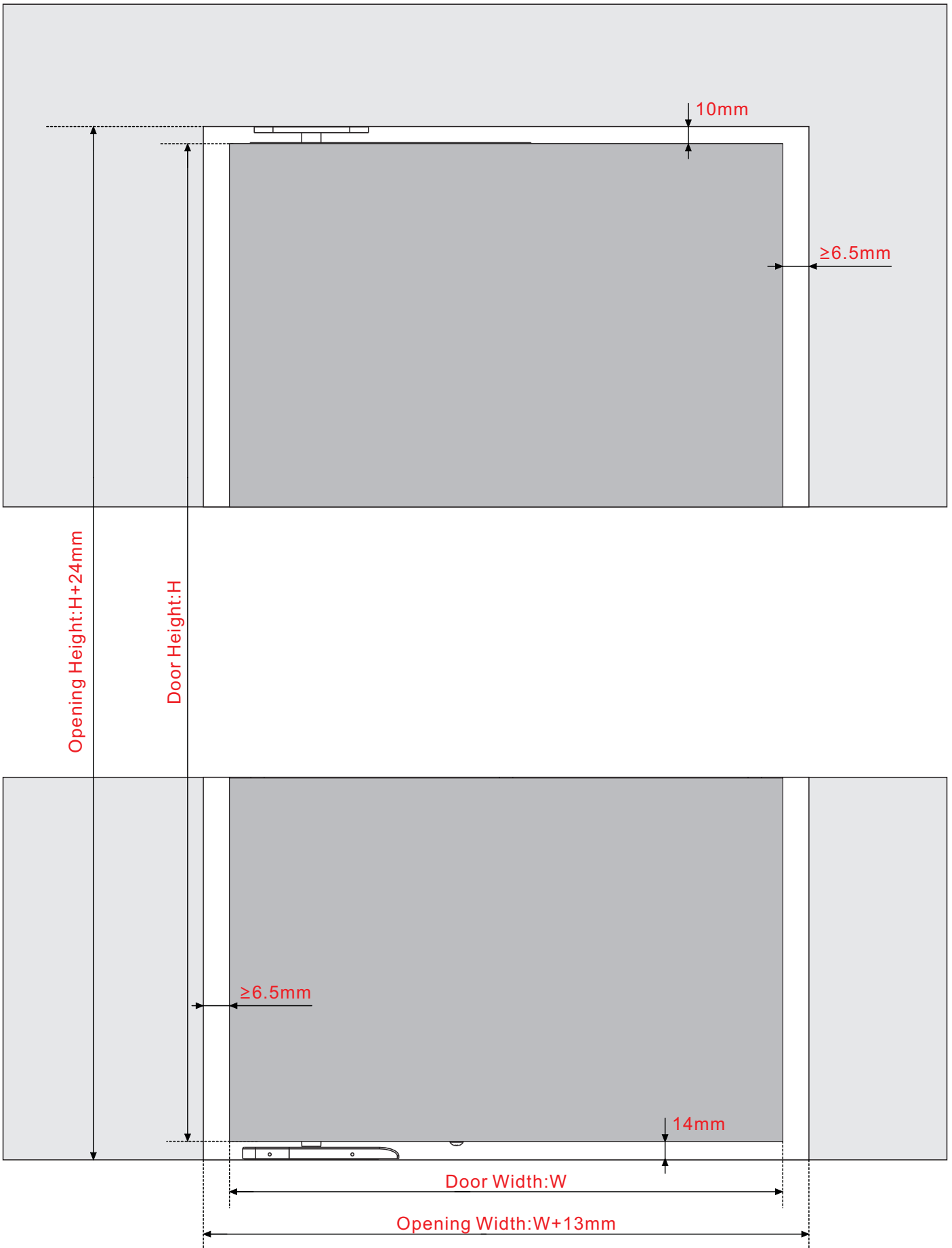
TOOLS REQUIRED



HARDWARE INCLUDED

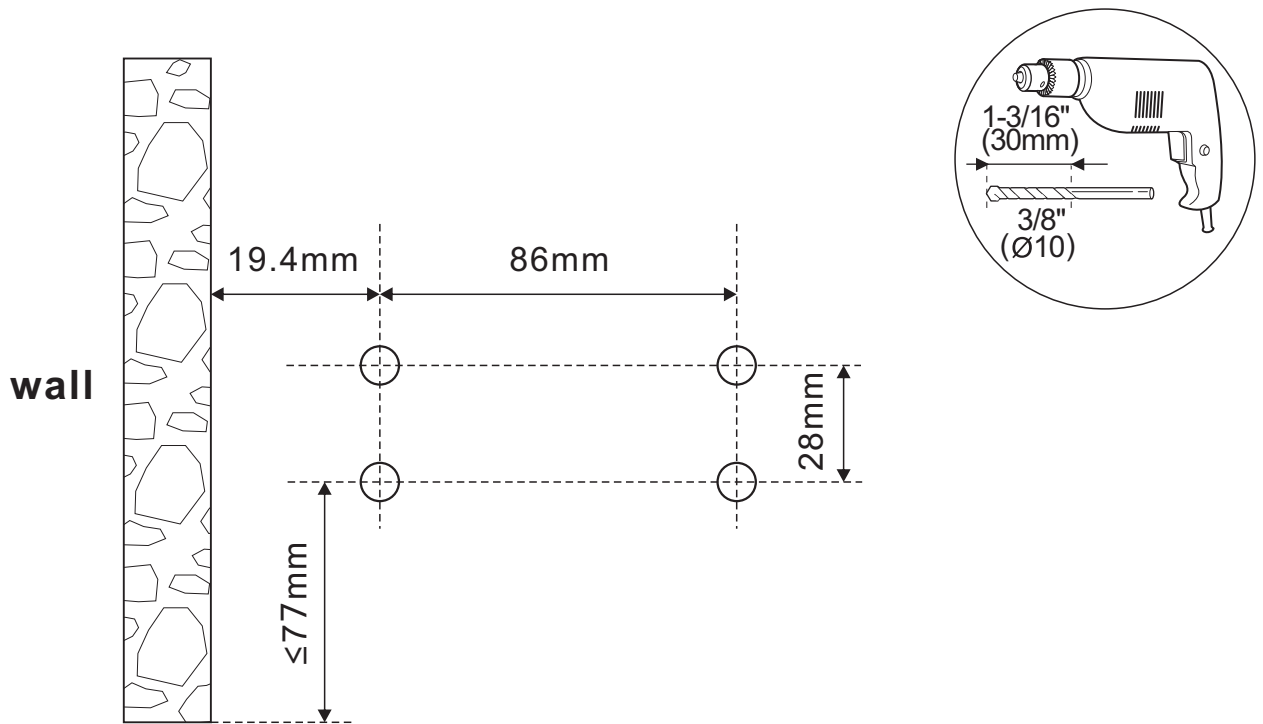
<p>A</p> <p>(x1)</p>	<p>B</p> <p>(x1)</p> <p>Wooden Wall</p> <p>ST4.8x25(x2)</p> <hr/> <p>Cement Wall</p> <p>ST4.8x38(x2)</p> <p>Ø8 (x2)</p>	<p>D</p> <p>(x1)</p>
<p>C</p> <p>(x1)</p> <p>M8x25(x4)</p> <p>Ø10 (x4)</p>	<p>(x1)</p>	

Door preparation

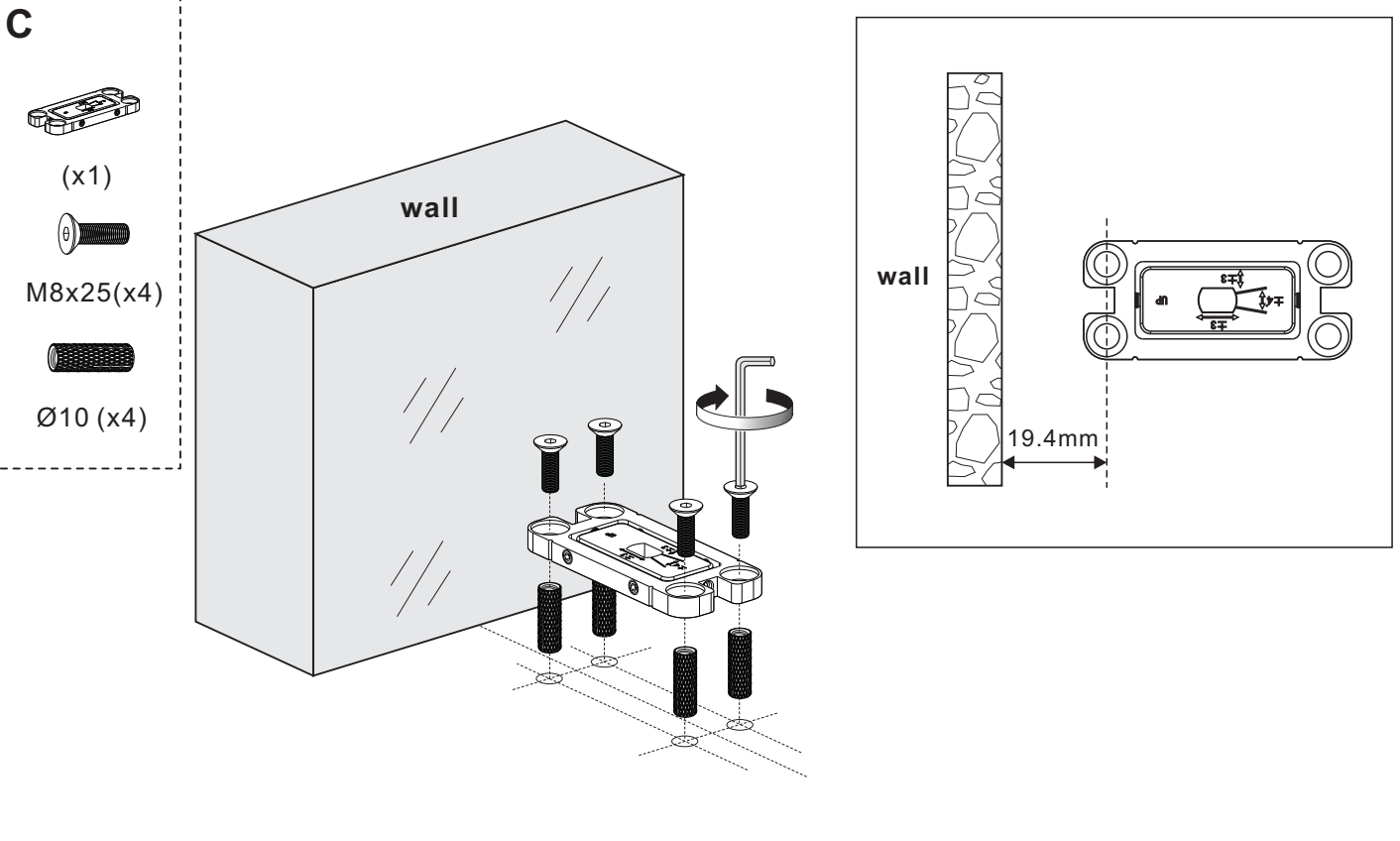


Installation

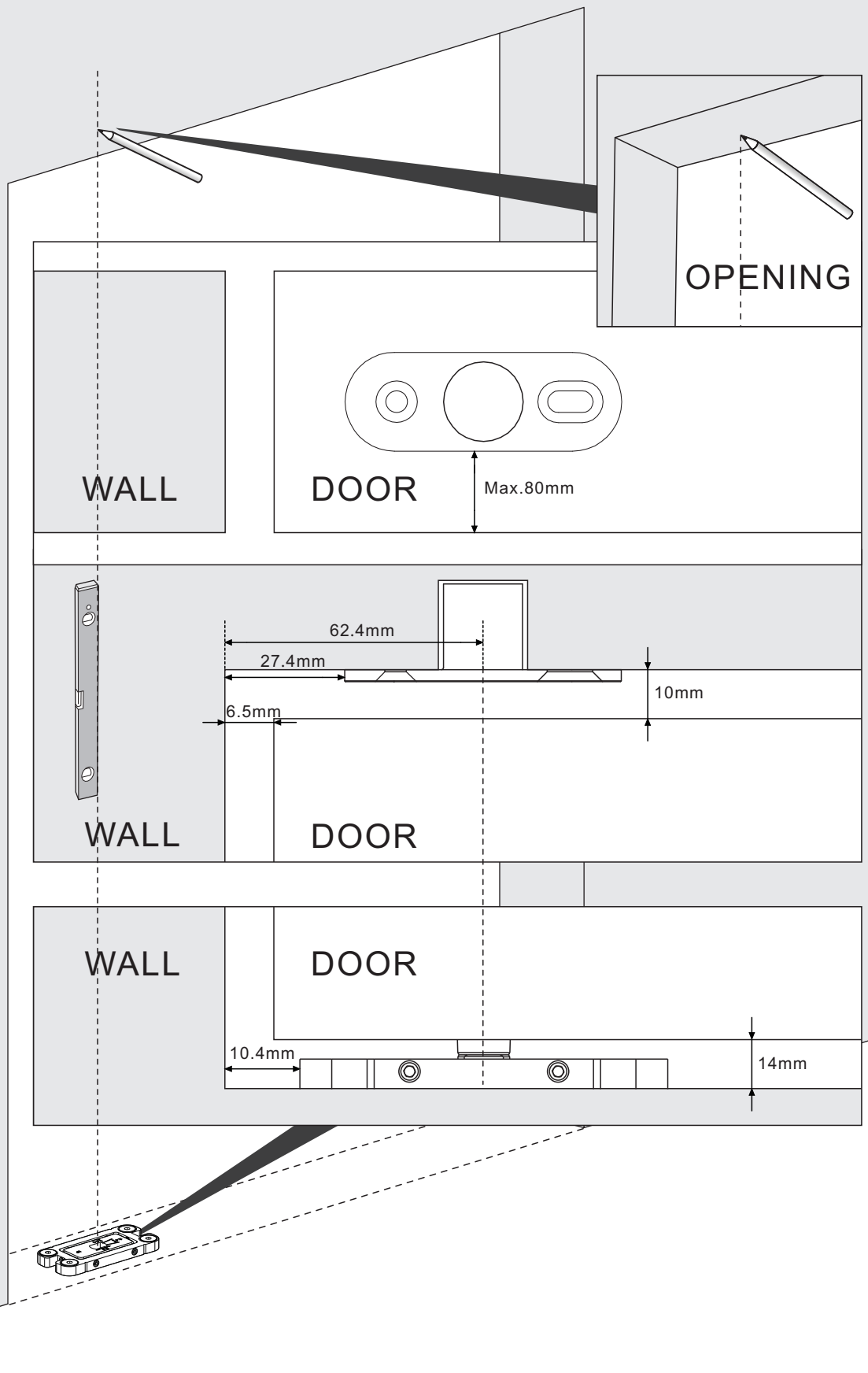
1 Mounting Plate Drilling Hole Size.



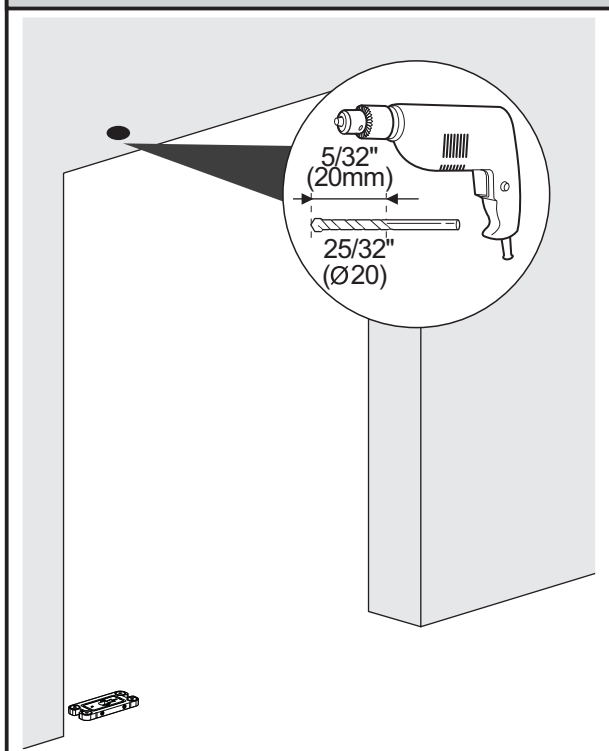
2 Insert screws after drilling the mounting plate. Then fix mounting plate well.



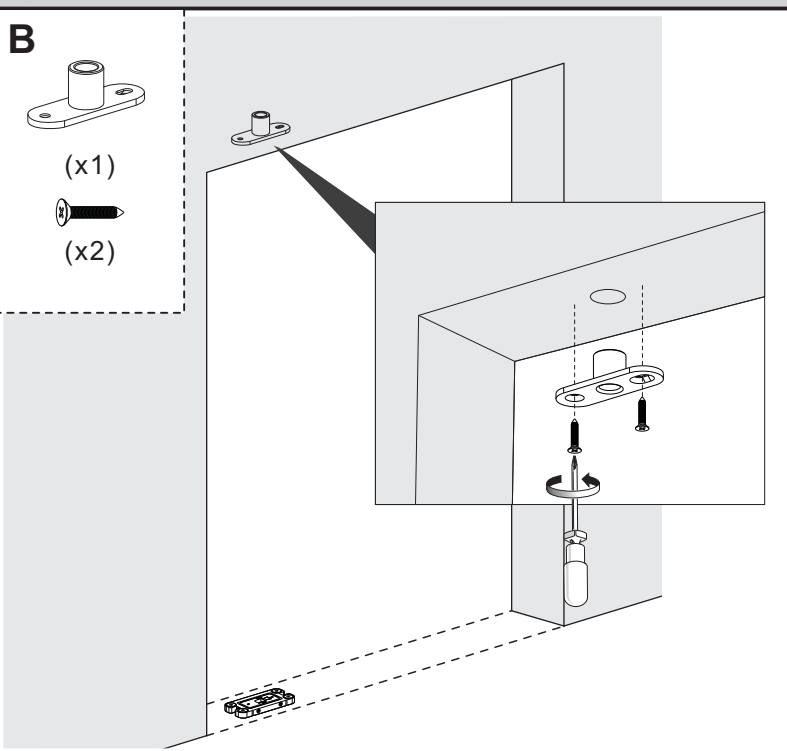
3 Mark the hole position by pencil.



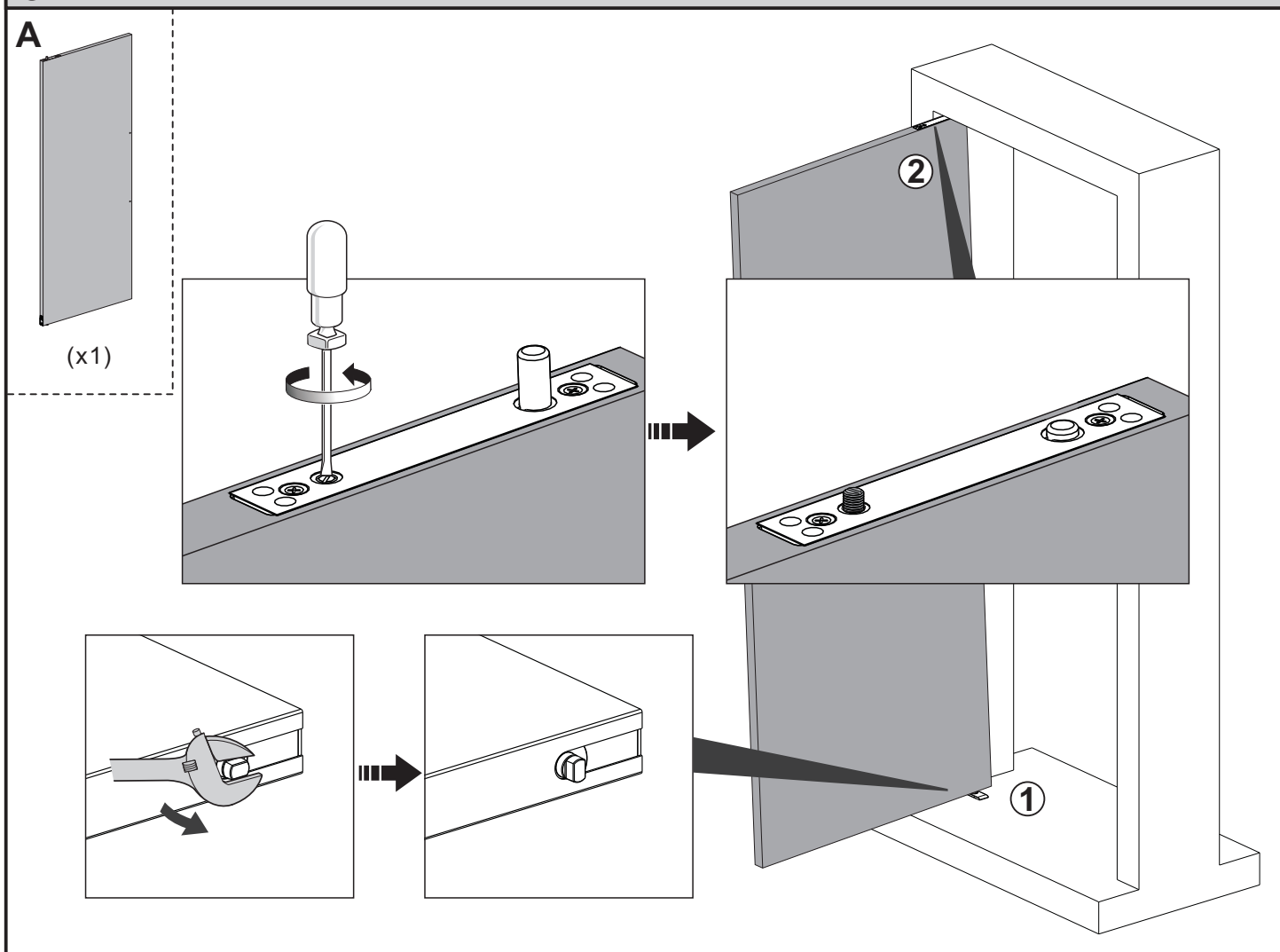
4 Drill holes.



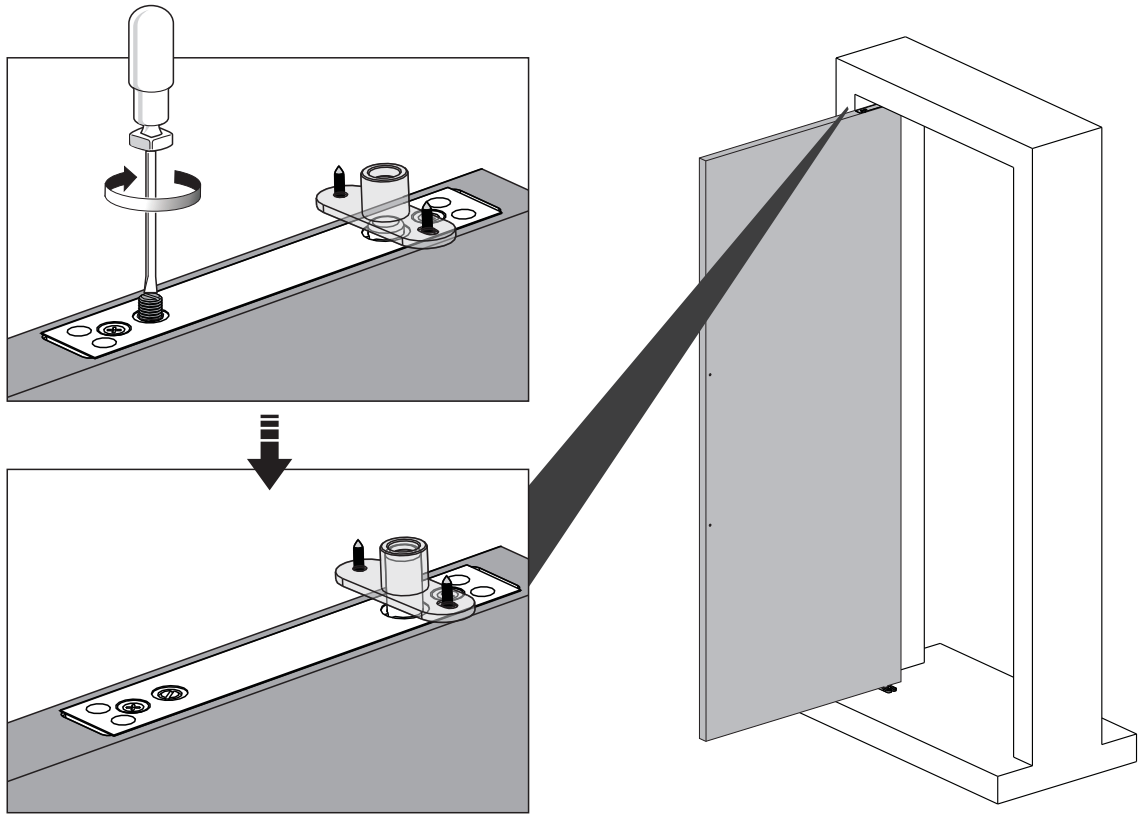
5 Fixing top pivot plate.



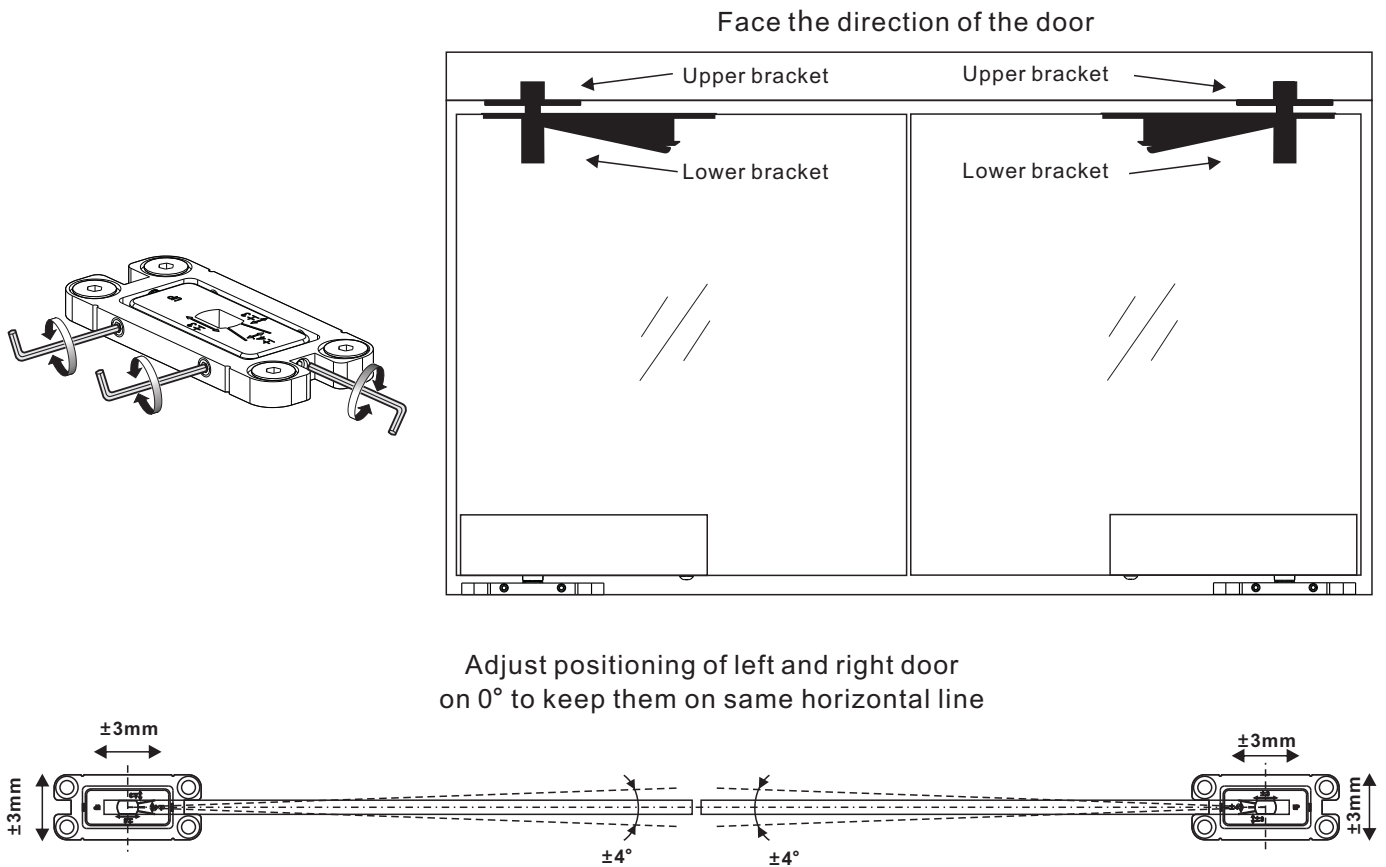
6 Loosen the screws to make pin retract.



7 Fasten the screws to make pin pot out inside the top pivot.

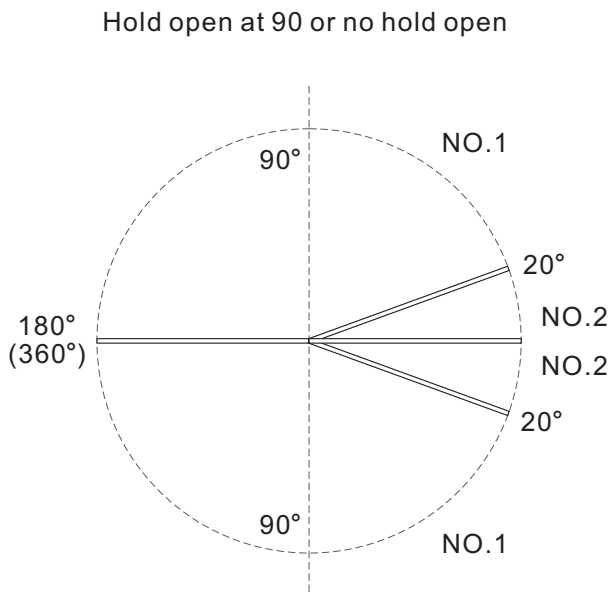


8 Adjust positioning of the door.

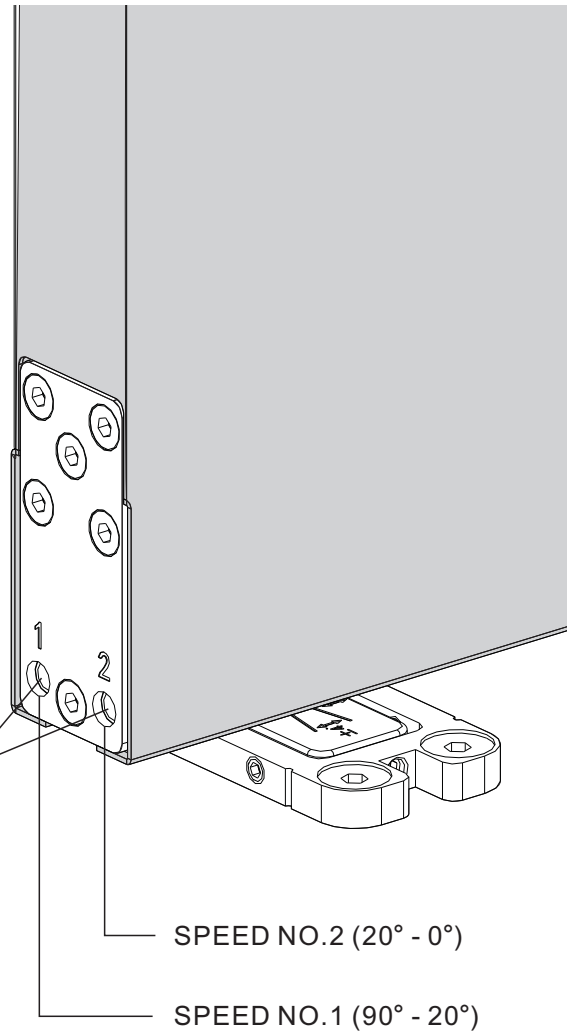
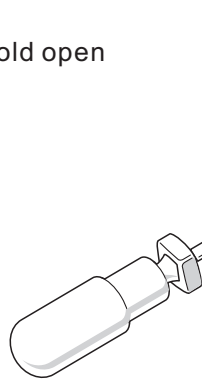
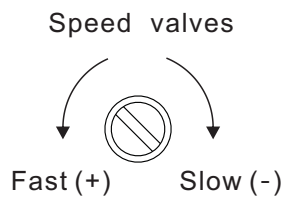


9 Adjust the buffer speed.

Adjust the buffer speed between the first and second speed. Adjust the first speed, then adjust the second speed till door works smoothly. It is a best way to adjust speed to turn speed valves 1/4 circle every time.

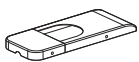


Hold open at 90 or no hold open

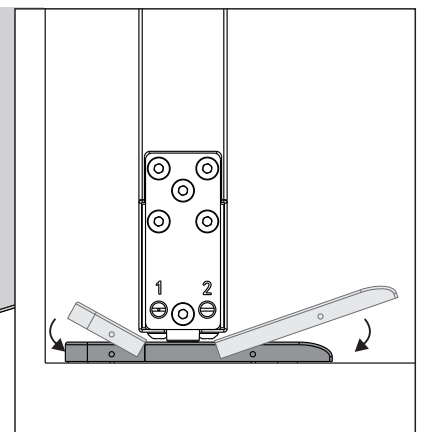
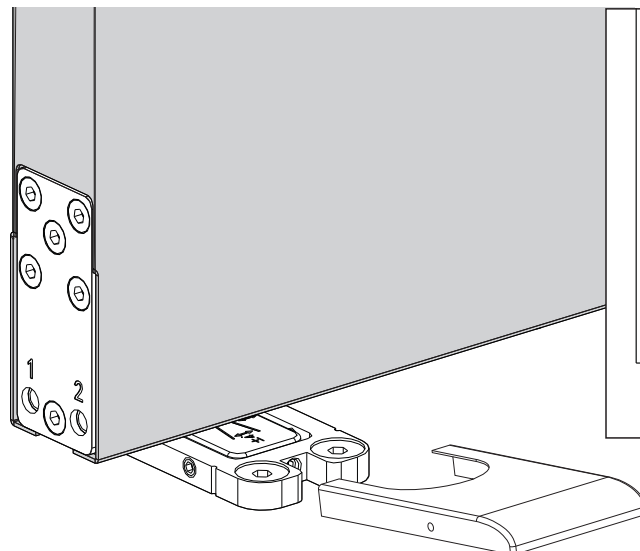
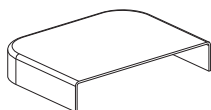


10 Put on stainless steel covers.

C

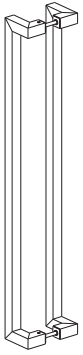


(x1)



11 Mount a handle.

D



(x1)

